

I/O DECODE FOR PROTOTYPING CARD

A9	A8	A7	A6	A5	A4	A3	A2	A1	A0
1	1	0	0	0	0	0	0	0	0
1	1	0	0	0	1	1	1	1	1

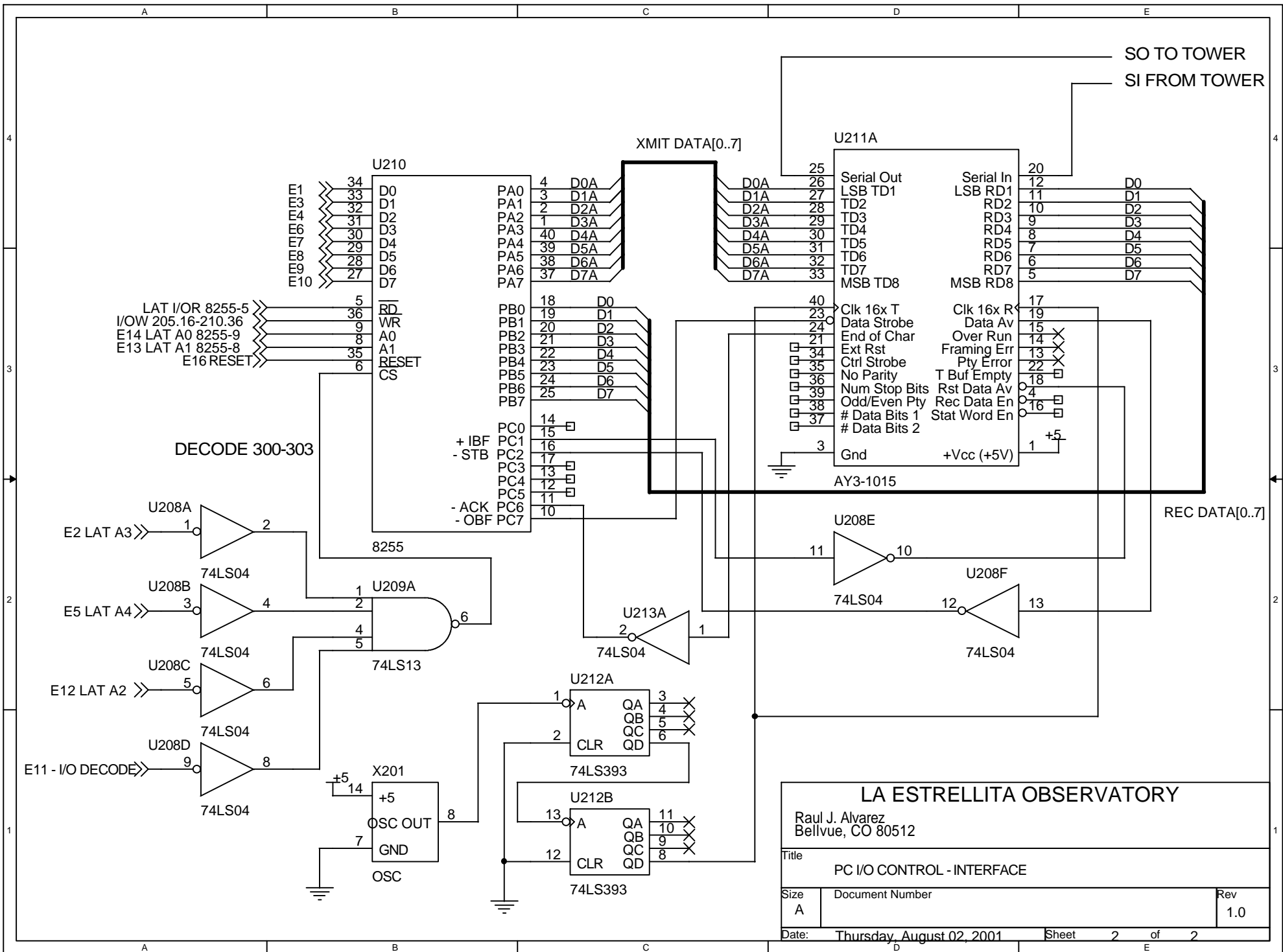
LA ESTRELLITA OBSERVATORY

Raul J. Alvarez
Bellvue, CO 80512

Title
PC I/O CONTROL - INTERFACE

Size A	Document Number	Rev 1.0
-----------	-----------------	------------

Date: Sunday, July 29, 2001 Sheet 1 of 2



LA ESTRELLITA OBSERVATORY		
Raul J. Alvarez Bellvue, CO 80512		
Title PC I/O CONTROL - INTERFACE		
Size A	Document Number	Rev 1.0
Date: Thursday, August 02, 2001		Sheet 2 of 2